

VIZIO | Quick Setup Guide

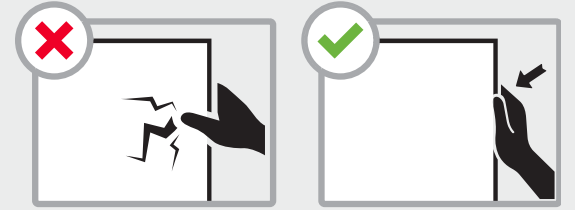
Scan for an Easy Setup.

vizio.com/qr/J/D-series



Important!

Do not touch screen.



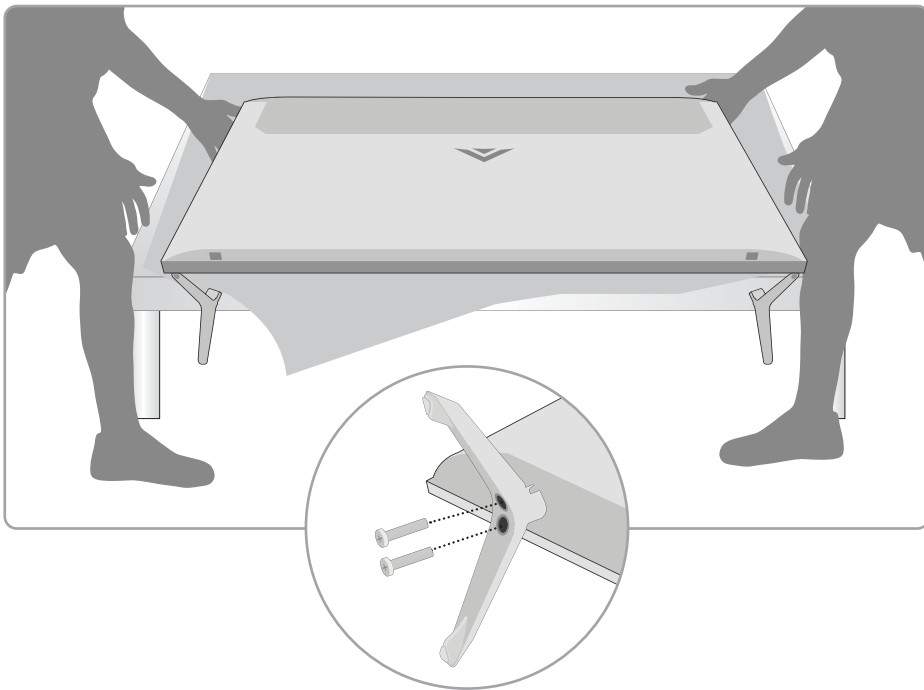
Please read the full User Manual at support.vizio.com/s/user-manuals before operating your VIZIO product and keep it for future reference. Purchase subject to full VIZIO Terms and Conditions, including **Binding Arbitration Agreement**, which may be viewed at vizio.com/en/terms/terms-of-service. **By using this device, you accept those Terms and Conditions.**

What's Inside the Box

Smart TV | Power Cable | Remote with Batteries | TV Feet with Screws (4)

1

Place TV on a padded, flat surface that is larger than the TV, before installing feet or wallmount (not included).



2

Plug the TV power cord into a wall outlet and connect your devices. HDMI is recommended.

Adapters may be required and are not included.



Why HDMI?

Highest Quality Connection:

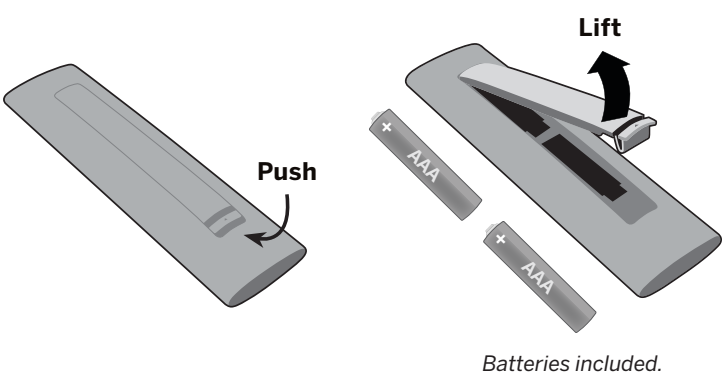
Connect your devices with HDMI for the best possible picture and sound.



HDMI

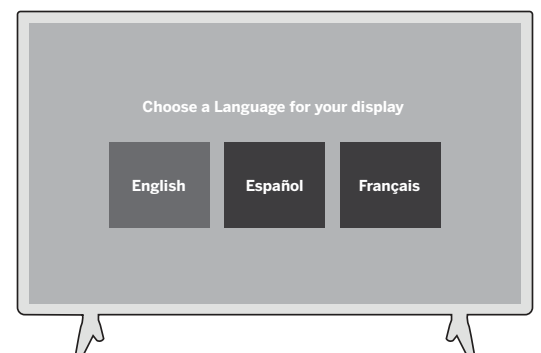
3

Insert two AAA batteries into the remote control. Aim directly at the TV and press the power button.



4

Follow the easy on-screen instructions to complete your setup and enjoy!



Want the best viewing experience?

Select a **Picture Mode setting** that best fits your room & lighting. See User Manual for more details.

Accessibility Features

CC

Press the **CC** button to enable/disable **closed captions**. Hold down for 5 seconds to access the Accessibility Menu with features like **Talk Back** and **Zoom Mode**.

PIC

Hold down the **PIC** button for 5 seconds to enable/disable the **Talk Back** accessibility feature.

Email: accessibility@vizio.com

Call: 1-877-698-4746 for additional support



This unit is equipped with Automated Content Recognition ("ACR") Technology which (when enabled) is able to detect commercially available content displayed on a VIZIO TV or device ("Viewing Data"). Declining Viewing Data collection will not affect the functionality of your device. To learn more, please review VIZIO's Privacy Policy at www.vizio.com/privacy.

¹ Source: The NPD Group, Inc., U.S. Weekly Retail Tracking Service, Based on Units, Dec. 24, 2017 – Feb. 15, 2020 Combined.

Complete your home theater experience with a sound bar from **VIZIO, America's #1 Sound Bar Company**¹.

[Scan here to shop our Sound Bars.](#)



More questions?

Get customer support help and view the User Manual here:

support.vizio.com

